

Diode Module

1600V / 100A

■ Features

- Compact Package
- P.C. Board Mount Module
- Converter Diode Bridge

■ Applications

- Inverter for Motor Drive
- AC and DC Servo Drive Amplifier
- Uninterruptible Power Supply

■ Maximum ratings and characteristics

● Absolute maximum ratings (Tc=25°C unless without specified)

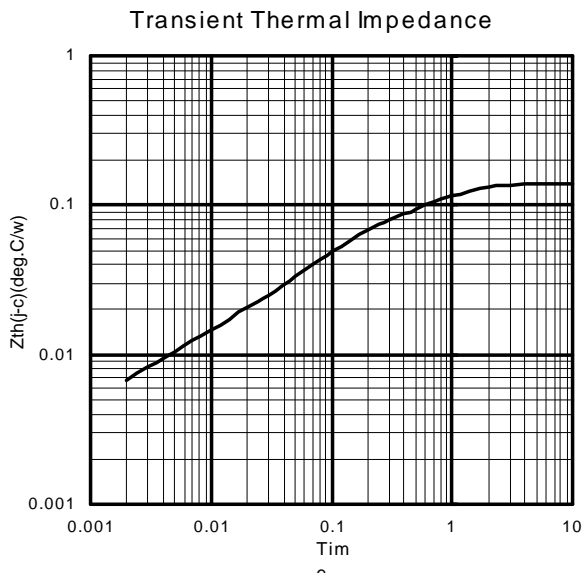
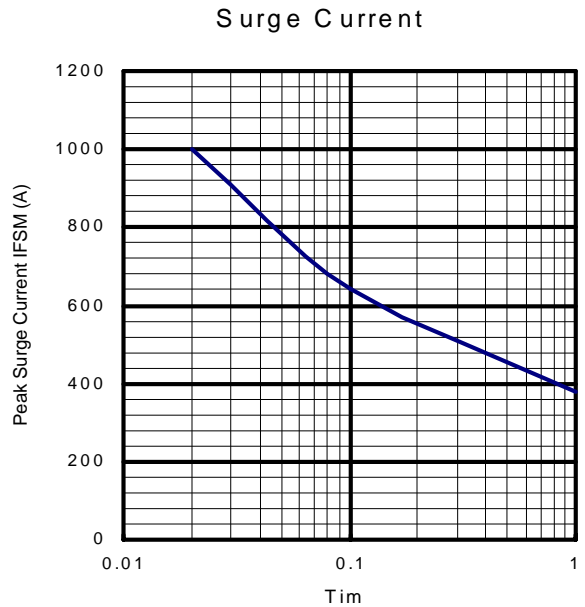
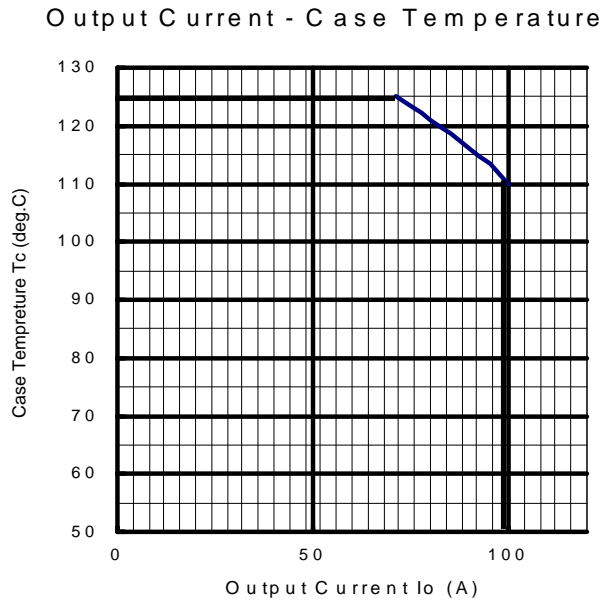
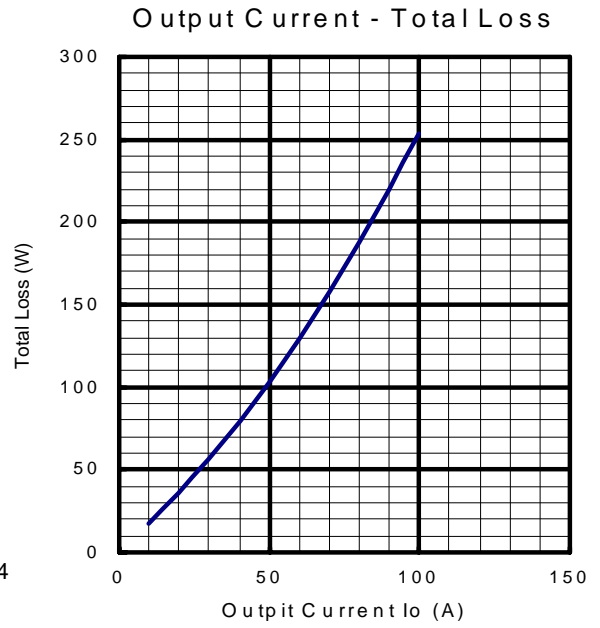
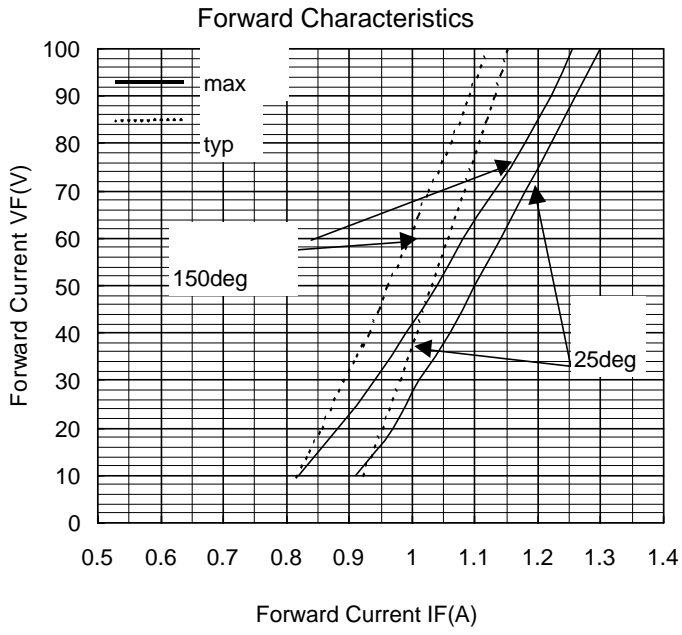
Item	Symbol	Condition	Rating	Unit
Repetitive peak reverse voltage	V _{RRM}		1600	V
Non-repetitive peak reverse voltage	V _{RSM}		1760	V
Average output current	I _o	50Hz/60Hz sine wave T _c =94°C	100	A
One cycle surge current	I _{FSM}	From rated load	1000	A
I _t	I _t	From rated load	4000	A ² s
Operation junction temperature	T _j		-40 to +125	°C
Storage junction temperature	T _{stg}		-40 to +125	°C
Isolation voltage	V _{iso}	AC : 1 minute	3000	V
Mounting screw torque		M5 screw	2.0 to 2.5	N·m

● Electrical characteristics (T_j=25°C unless otherwise specified)

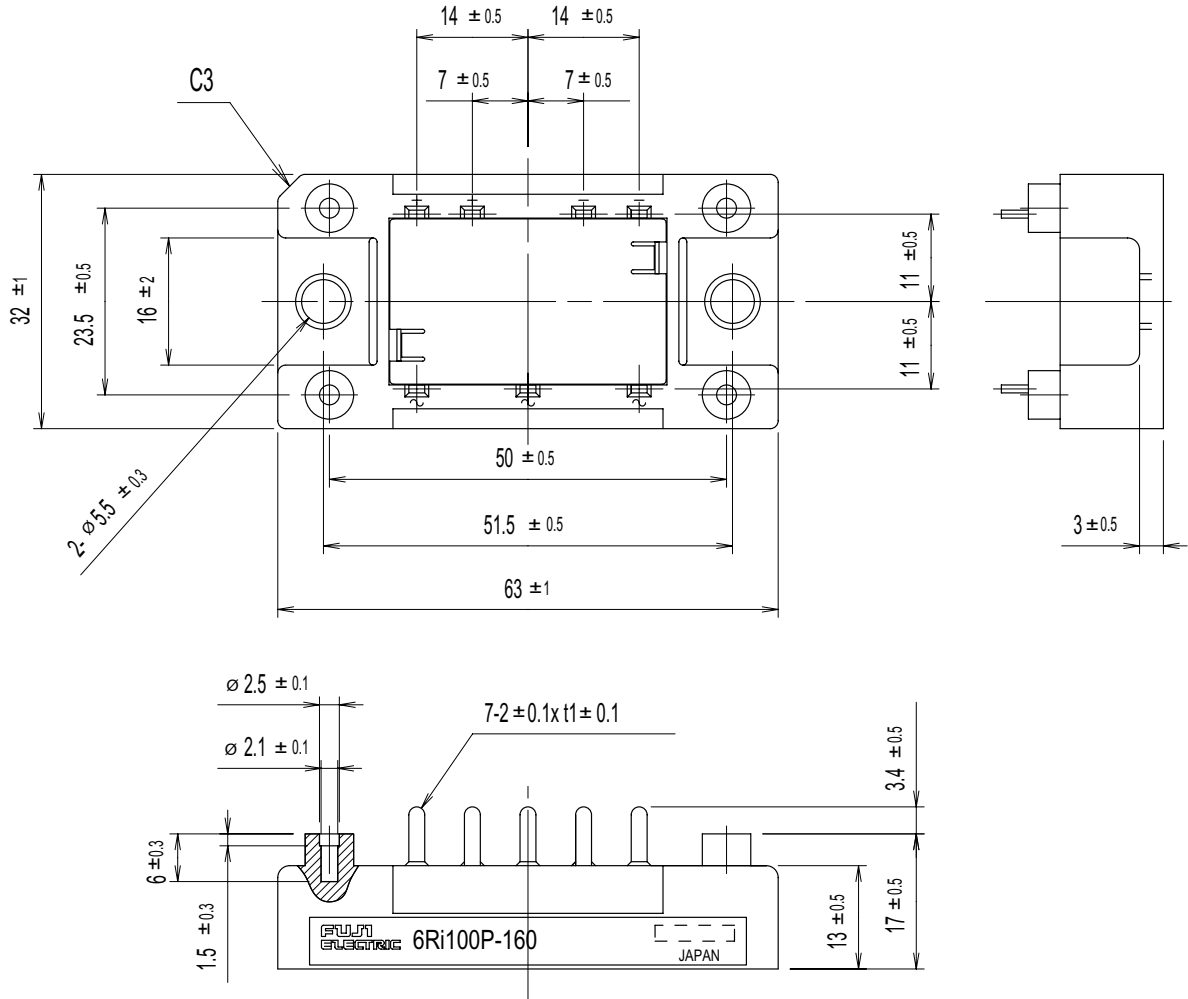
Item	Symbol	Condition	Min.	Typ.	Max.	Unit
Forward voltage	V _{FM}	T _j =25°C, I _{FM} =100A			1.30	V
Reverse current	I _{RRM}	T _j =150°C, V _R =V _{RRM}			20	mA

● Thermal characteristics

Item	Symbol	Condition	Min.	Typ.	Max.	Unit
Thermal resistance	R _{th(j-c)}	Per total loss			0.14	°C/W
		Per each device			0.84	
Thermal Resistance(Case to fine)	R _{th(c-f)}	with thermal compound			0.08	°C/W



■ Outline Drawings, mm



■ Equivalent Circuit Schematic

